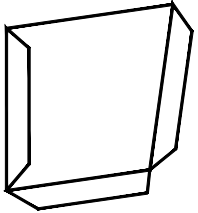
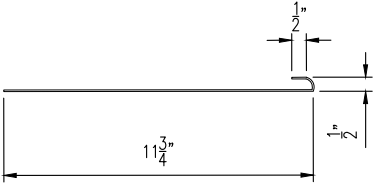
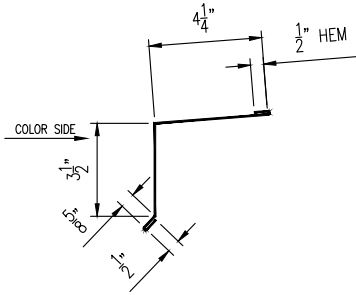
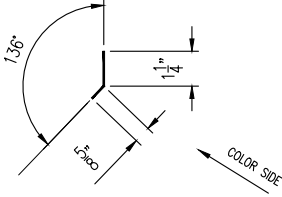
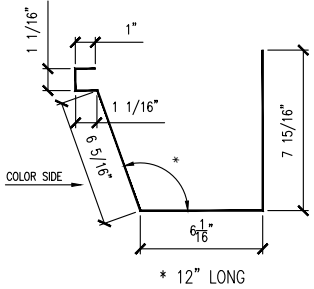
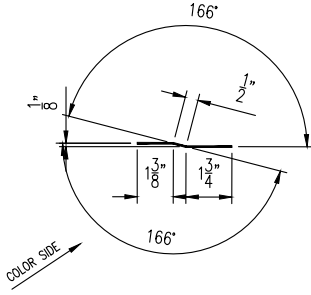
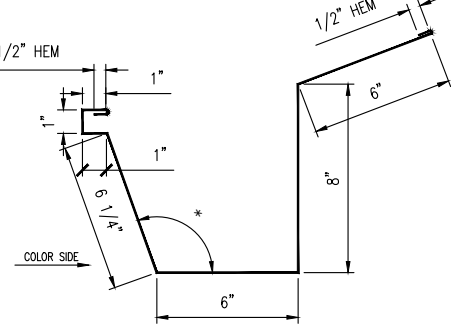
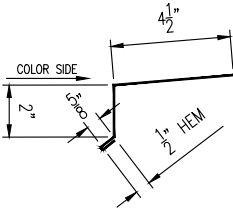
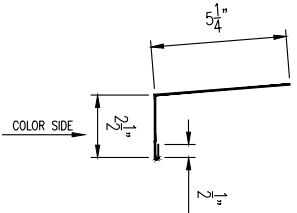
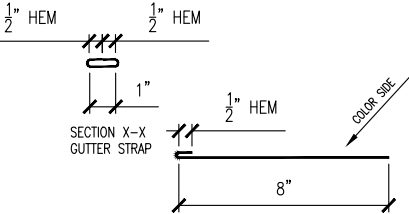
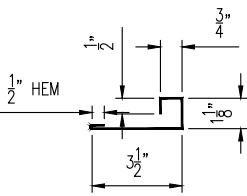
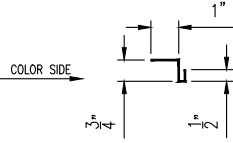


<p>GUTTER END CAP WS-1400</p> 	<p>16 GA. BACKUP PLATE WS-1401</p> 	<p>EAVE FLASHING WS-1402</p> 	<p>PANEL CLEAT WS-1403</p> 
<p>GUTTER SPLICE WS-1404</p> <p>* To Be Installed on Outside of Gutter</p> 	<p>JOGGLE CLEAT WS-1405</p> 	<p>GUTTER WS-1406</p> 	<p>OPTIONAL GUTTER EAVE TRIM WS-1407</p> 
<p>OPTIONAL GUTTER EAVE FLASH WS-1408</p> 	<p>GUTTER STRAP WS-1409</p> 	<p>18 GA. PANEL RECEIVER WS-1410</p> 	<p>ANGLE TRIM WS-1411</p> 



Western States Metal Roofing

901 W. Watkins St.
Phoenix, AZ 85007
www.westernstatesmetalroofing.com

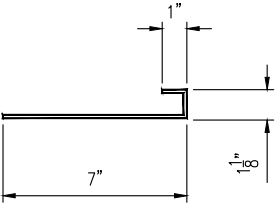
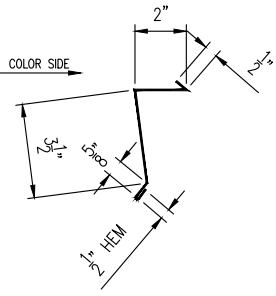
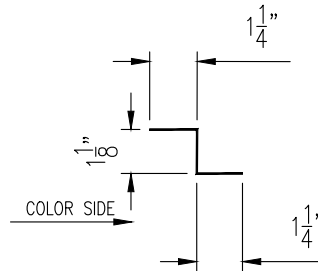
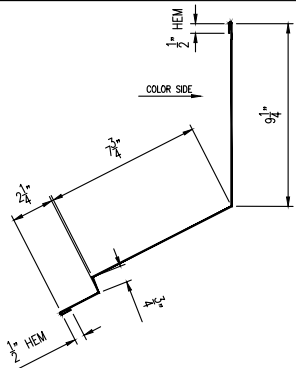
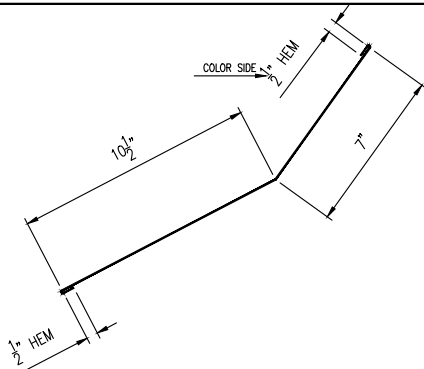
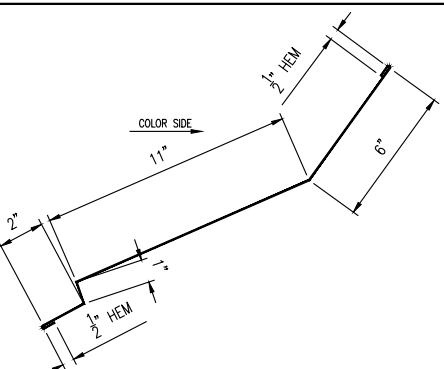
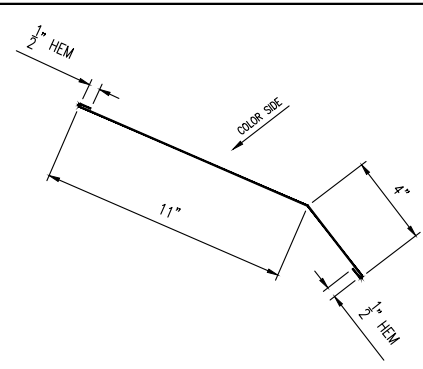
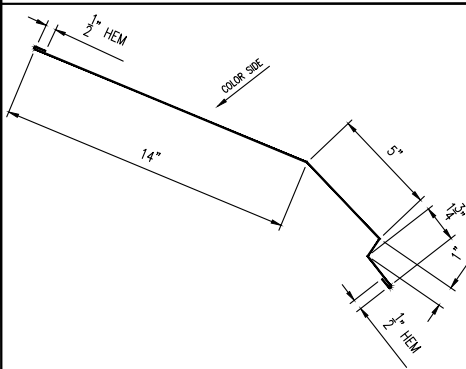
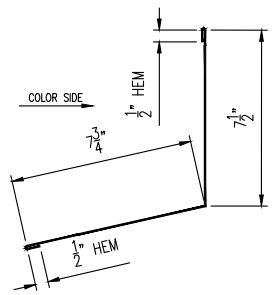
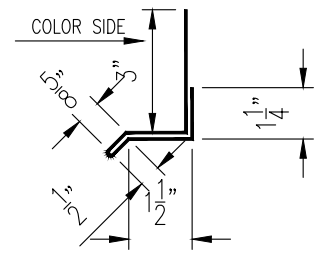
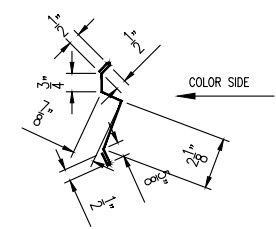
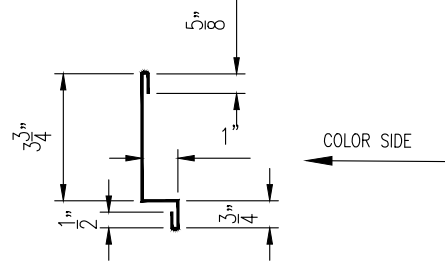
Phone: (602) 495-0048
Fax: (602) 261-7726
877-PURLINS (787-5467)



STANDARD TRIMS

PANEL TYPE:
MS1.0® STANDING SEAM

	DATE:
A	11-12-25
	REV:
	DETAIL #:
	MS1.0-WSD-ST1

<p>18 GA CONT PANEL END SUPPORT WS-1412</p> 	<p>REGLET FLASHING WS-1413</p> 	<p>ZEE CLOSURE WS-1414</p> 	<p>HEAD WALL FLASHING WS-1415</p> 
<p>TRANSITION TRIM WS-1416</p> 	<p>TRANSITION TRIM WS-1417</p> 	<p>TRANSITION TRIM WS-1418</p> 	<p>TRANSITION TRIM WS-1419</p> 
<p>HEAD WALL FLASHING WS-1420</p> 	<p>SILL TRIM WS-1421</p> 	<p>REGLET FLASHING WS-1422</p> 	<p>RAKE WALL TRIM WS-1423</p> 



Western States Metal Roofing

901 W. Watkins St.
Phoenix, AZ 85007
www.westernstatesmetalroofing.com

Phone: (602) 495-0048
Fax: (602) 261-7726
877-PURLINS (787-5467)



STANDARD TRIM

PANEL TYPE:
MS1.0® STANDING SEAM

	DATE:
A	11-12-25
REV:	
DETAIL #:	MS1.0-WSD-ST2

<p>HIGH EAVE FLASH WS-1425</p>	<p>HIGH EAVE FLASH WS-1426</p>	<p>RIDGE/HIP TRIM WS-1427</p>	<p>RIDGE/HIP TRIM WS-1428</p>
<p>VALLEY TRIM WS-1429</p>	<p>BULL NOSE DRIP WS-1430</p>	<p>REGLET TRIM WS-1431</p>	<p>VALLEY TRIM WS-1432</p>
<p>DOWNSPOUT STRAP WS-1433</p>	<p>STRAIGHT DOWNSPOUT WS-1434</p>	<p>DOWNSPOUT W/KICKOUT WS-1435</p>	



Western States Metal Roofing

901 W. Watkins St.
Phoenix, AZ 85007
www.westernstatesmetalroofing.com

Phone: (602) 495-0048
Fax: (602) 261-7726
877-PURLINS (787-5467)



STANDARD TRIM

PANEL TYPE:
MS1.0® STANDING SEAM

	DATE:
A	11-12-25
REV:	
DETAIL #:	MS1.0-WSD-ST3

DOWNSPOUT ELBOW WS-1436	DOWNSPOUT OUTLET WS-1437	GABLE TRIM WS-1438	VALLEY TRIM WS-1439



Western States Metal Roofing

901 W. Watkins St.
 Phoenix, AZ 85007
www.westernstatesmetalroofing.com

Phone: (602) 495-0048
 Fax: (602) 261-7726
 877-PURLINS (787-5467)



STANDARD TRIM

PANEL TYPE:
 MS1.0® STANDING SEAM

	DATE:
A	11-12-25
REV:	
DETAIL #:	MS1.0-WSD-ST4