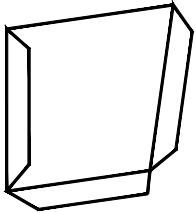
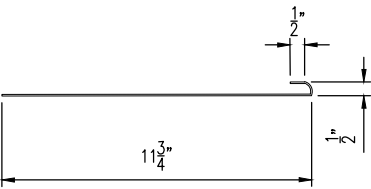
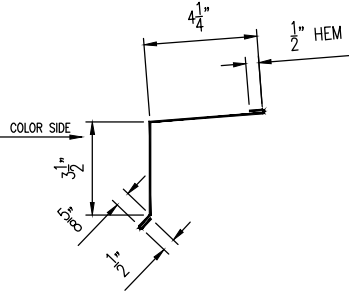
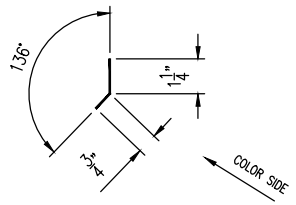
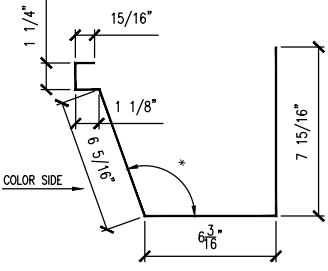
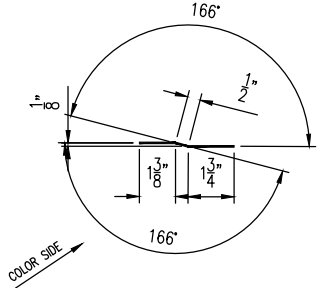
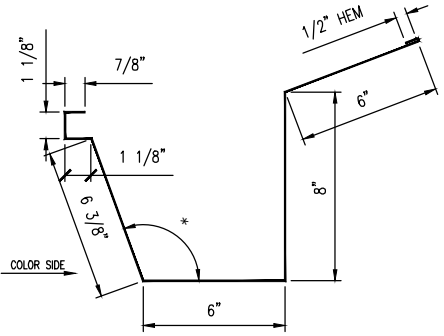
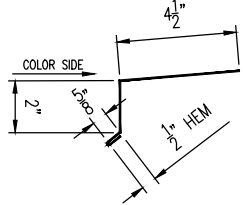
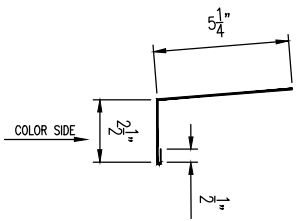
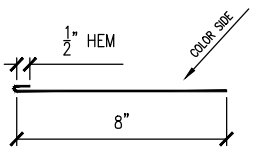
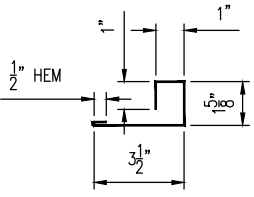
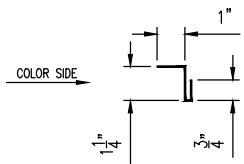


<p>GUTTER END CAP WS-1300</p> 	<p>16 GA. BACKUP PLATE WS-1301</p> 	<p>EAVE FLASHING WS-1302</p> 	<p>PANEL CLEAT WS-1303</p> 
<p>GUTTER SPLICE WS-1304</p> <p>* To Be installed on outside of Gutter</p> 	<p>JOGGLE CLEAT WS-1305</p> 	<p>GUTTER WS-1306</p> 	<p>OPTIONAL EAVE TRIM WS-1307</p> 
<p>OPTIONAL EAVE FLASH WS-1308</p> 	<p>GUTTER STRAP WS-1309</p> 	<p>18 GA. PANEL RECEIVER WS-1310</p> 	<p>ANGLE TRIM WS-1311</p> 



Western States Metal Roofing

901 W. Watkins St.
Phoenix, AZ 85007
www.westernstatesmetalroofing.com

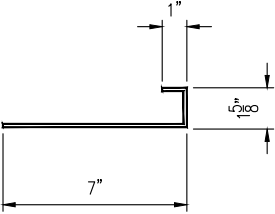
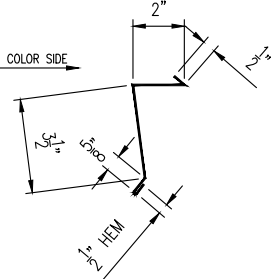
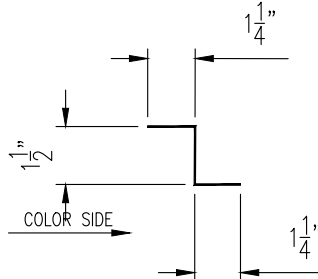
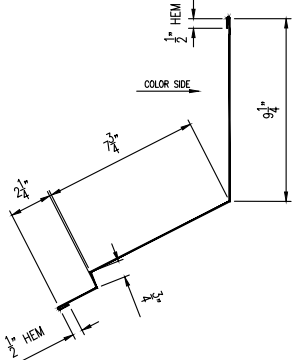
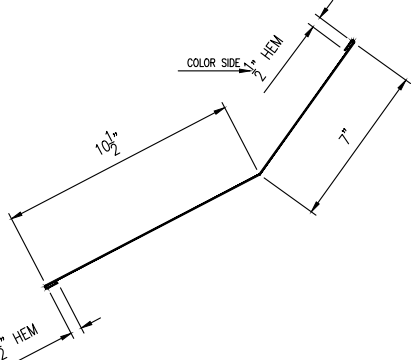
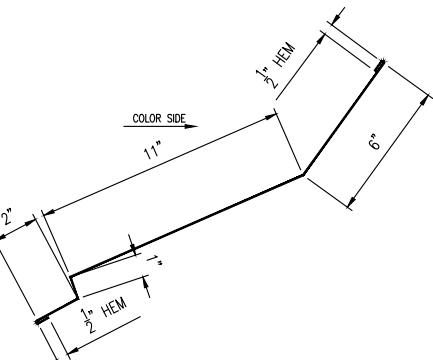
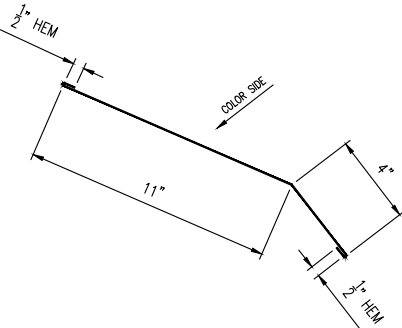
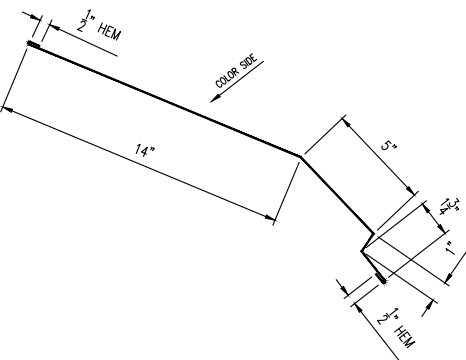
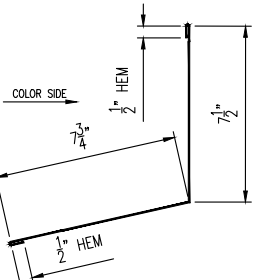
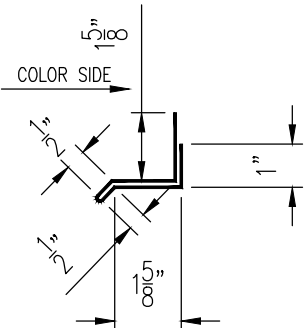
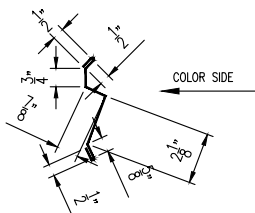
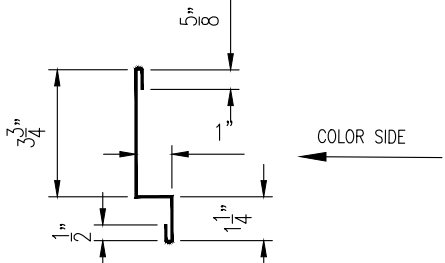
Phone: (602) 495-0048
Fax: (602) 261-7726
877-PURLINS (787-5467)



STANDARD TRIMS

PANEL TYPE:
MS1.5® STANDING SEAM

	DATE:
A	11-12-25
REV:	
DETAIL #:	MS1.5-WSD-ST1

<p>18 GA CONT PANEL END SUPPORT WS-1312</p> 	<p>REGLET FLASHING WS-1313</p> 	<p>ZEE CLOSURE WS-1314</p> 	<p>HEAD WALL FLASHING WS-1315</p> 
<p>TRANSITION TRIM WS-1316</p> 	<p>TRANSITION TRIM WS-1317</p> 	<p>TRANSITION TRIM WS-1318</p> 	<p>TRANSITION TRIM WS-1319</p> 
<p>HEAD WALL FLASHING WS-1320</p> 	<p>SILL TRIM WS-1321</p> 	<p>REGLET FLASHING WS-1322</p> 	<p>RAKE WALL TRIM WS-1323</p> 



Western States Metal Roofing

901 W. Watkins St.
Phoenix, AZ 85007
www.westernstatesmetalroofing.com

Phone: (602) 495-0048
Fax: (602) 261-7726
877-PURLINS (787-5467)



STANDARD TRIM

PANEL TYPE:
MS1.5® STANDING SEAM

	DATE:
A	11-12-25
REV:	
DETAIL #:	MS1.5-WSD-ST2

<p>HEAD WALL FLASHING WS-1324</p>	<p>HIGH EAVE FLASH WS-1325</p>	<p>HIGH EAVE FLASH WS-1326</p>	<p>RIDGE/HIP TRIM WS-1327</p>
<p>RIDGE/HIP TRIM WS-1328</p>	<p>VALLEY TRIM WS-1329</p>	<p>BULL NOSE DRIP WS-1330</p> <p>*6:12 MAX PITCH</p>	<p>REGLET TRIM WS-1331</p>
<p>VALLEY TRIM WS-1332</p>	<p>DOWNSPOUT STRAP WS-1333</p>	<p>STRAIGHT DOWNSPOUT WS-1334</p>	<p>DOWNSPOUT W/KICKOUT WS-1335</p> <p>*45 DEG. BEND UNLESS NOTED*</p>



Western States Metal Roofing

901 W. Watkins St.
Phoenix, AZ 85007
www.westernstatesmetalroofing.com

Phone: (602) 495-0048
Fax: (602) 261-7726
877-PURLINS (787-5467)



STANDARD TRIM

PANEL TYPE:
MS1.5® STANDING SEAM

	DATE:
A	11-12-25
REV:	
DETAIL #:	MS1.5-WSD-ST3

DOWNSPOUT ELBOW WS-1336	DOWNSPOUT OUTLET WS-1337	GABLE TRIM WS-1338	VALLEY TRIM WS-1339



Western States Metal Roofing

901 W. Watkins St.
 Phoenix, AZ 85007
www.westernstatesmetalroofing.com

Phone: (602) 495-0048
 Fax: (602) 261-7726
 877-PURLINS (787-5467)



STANDARD TRIM

PANEL TYPE:
 MS1.5® STANDING SEAM

	DATE:
A	11-12-25
REV:	
DETAIL #:	MS1.5-WSD-ST4